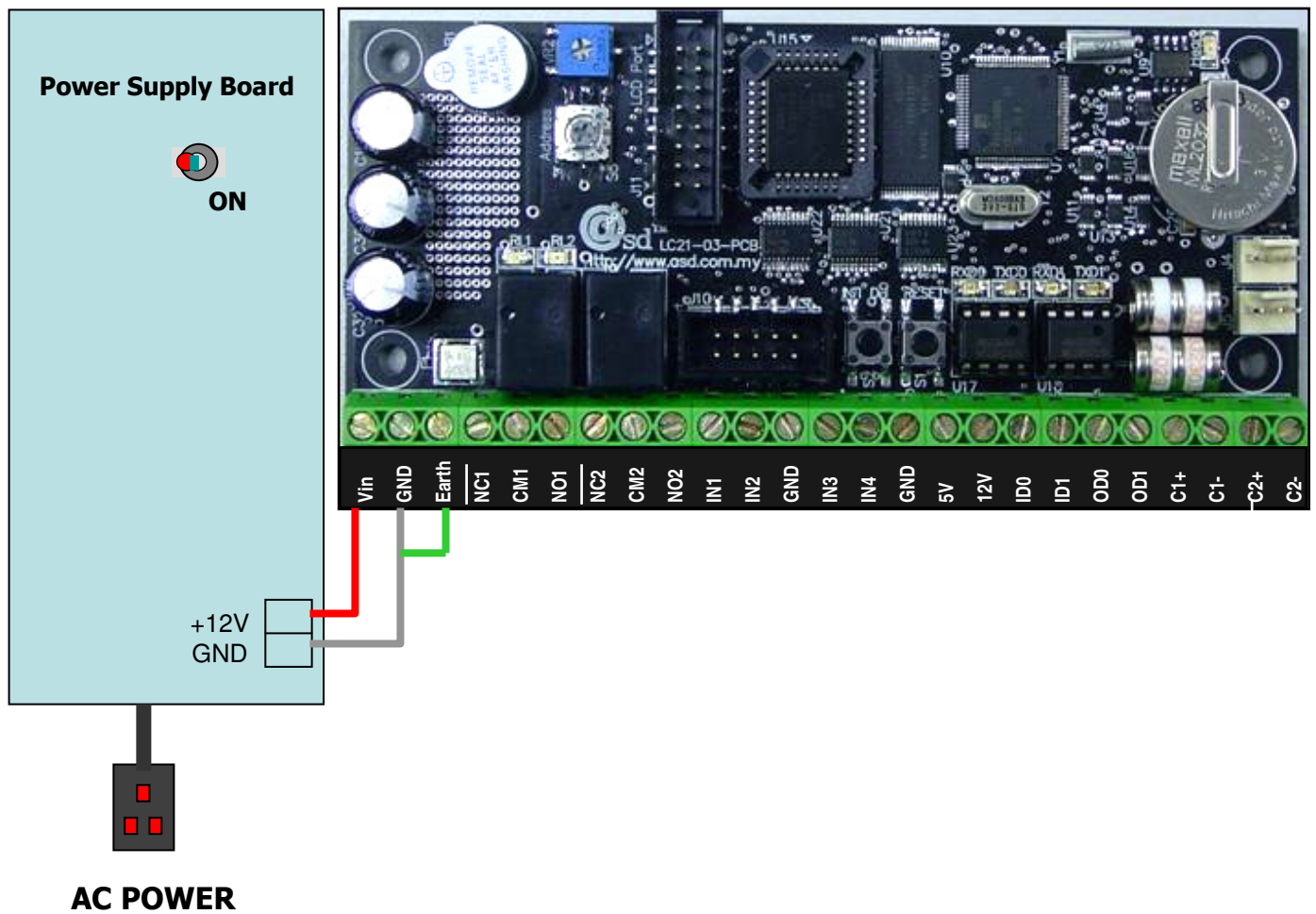


ZenACCESS

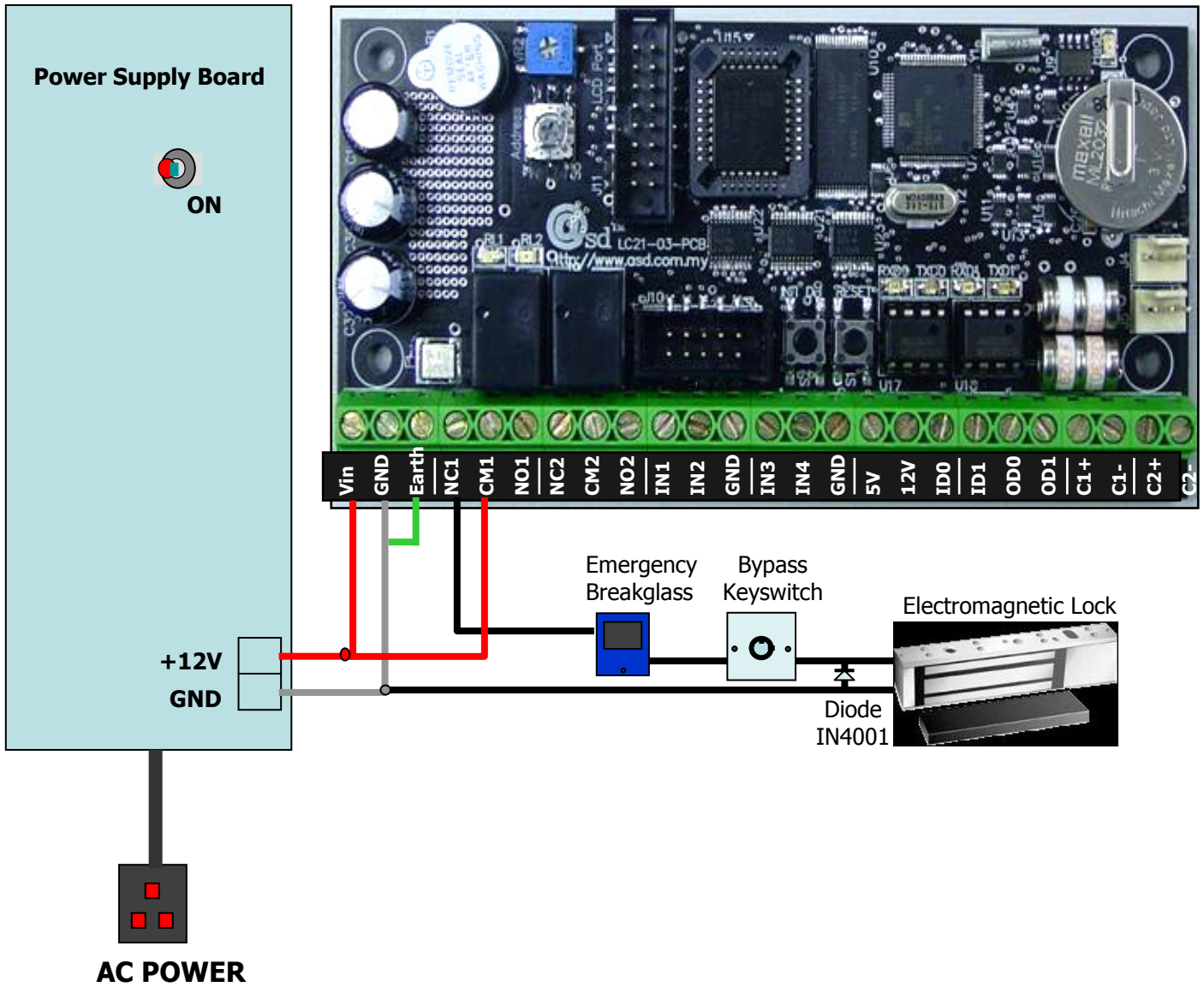
**CONTROL PANEL
S2100.PSU
Quick Guide**

Step By Step Installation Guide

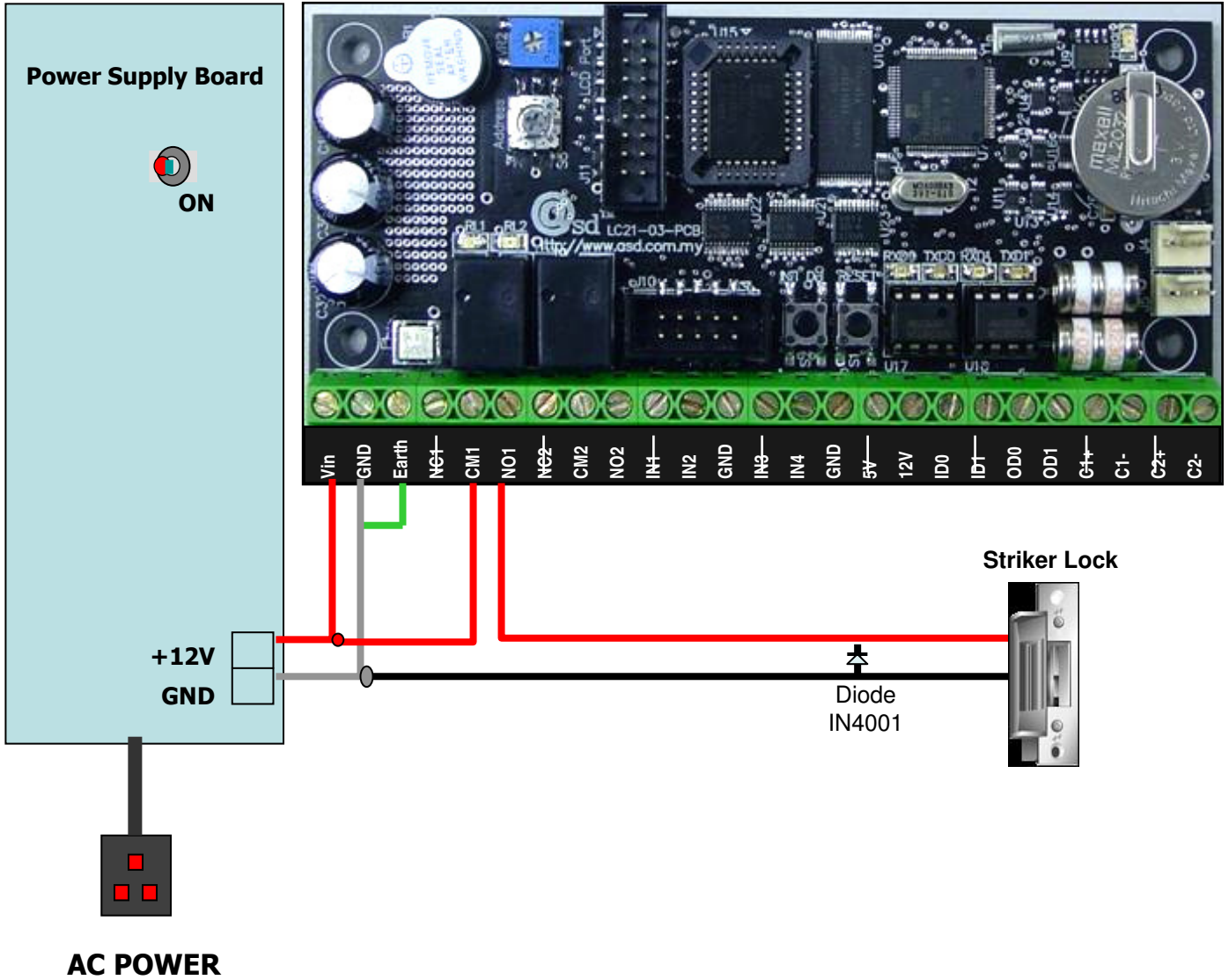
1) Connecting the power input



2) Installing Emergency Break Glass, Key switch and EM Lock



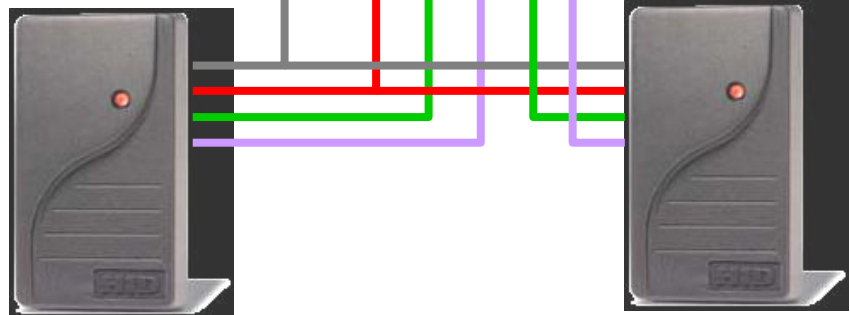
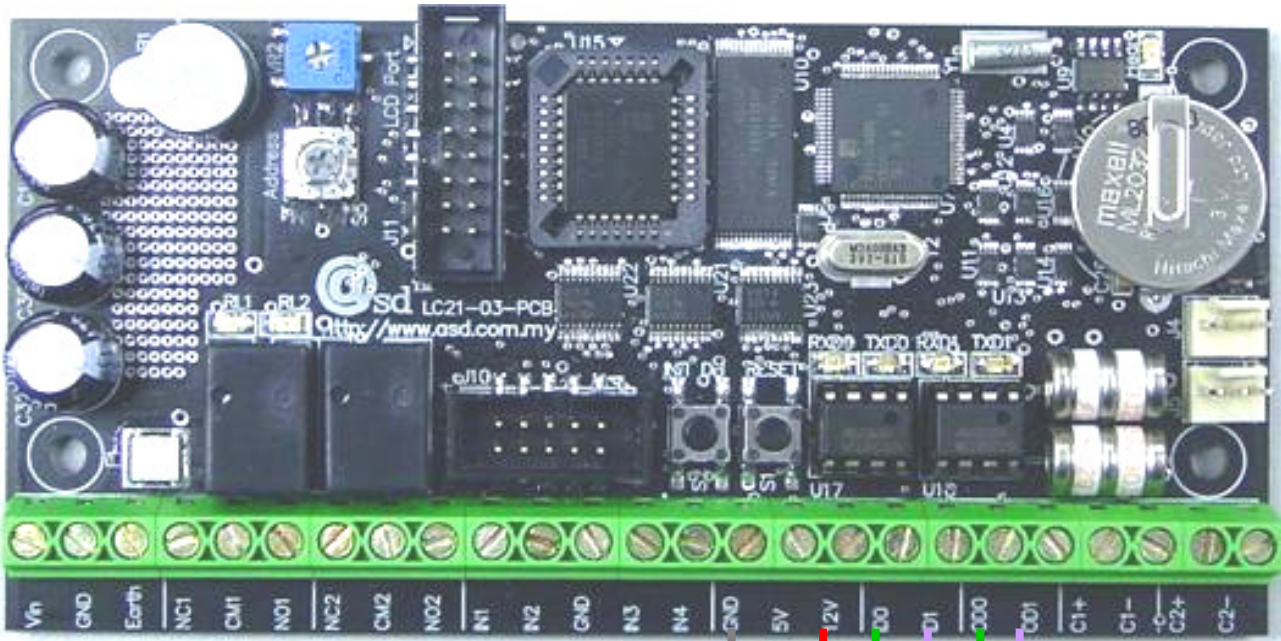
3) Installing Striker Lock



Cabling Information

Communication	Data Signal	Max Distance	Belden Ref #	Description
Computer to PC communicator	RS 232	10m (30 ft)	n/a	3 pair, 22AWG, stranded, shielded(foil), comm cable
PC Communicator to controller	RS 485	1.2 km (4000 ft)	1419	2 twisted pairs, , #24 AWG, shielded
Controller to Reader	Wiegand	50m (165 ft)	9553	6 conductor, stranded, 18 AWG, shielded 9foil), drain conductor
Accessories				
Controller to push button		600m (2000 ft)	9794	22AWG, 4 conductor
Lock to controller		150m (500 ft)	9571	1 pair, 18 AWG, solid

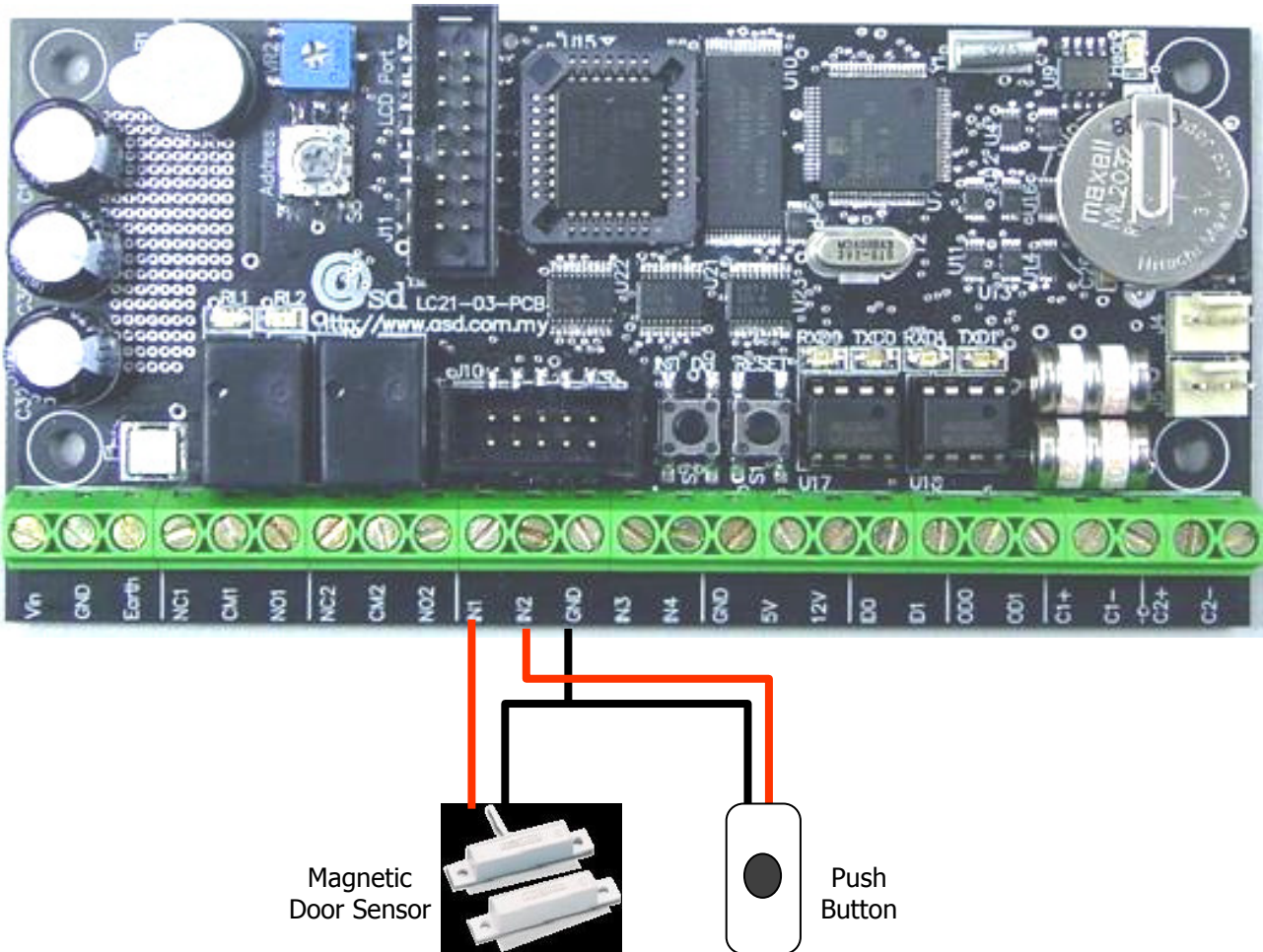
5) Installing Readers



Entry Reader/
Entry Reader for 1st Door

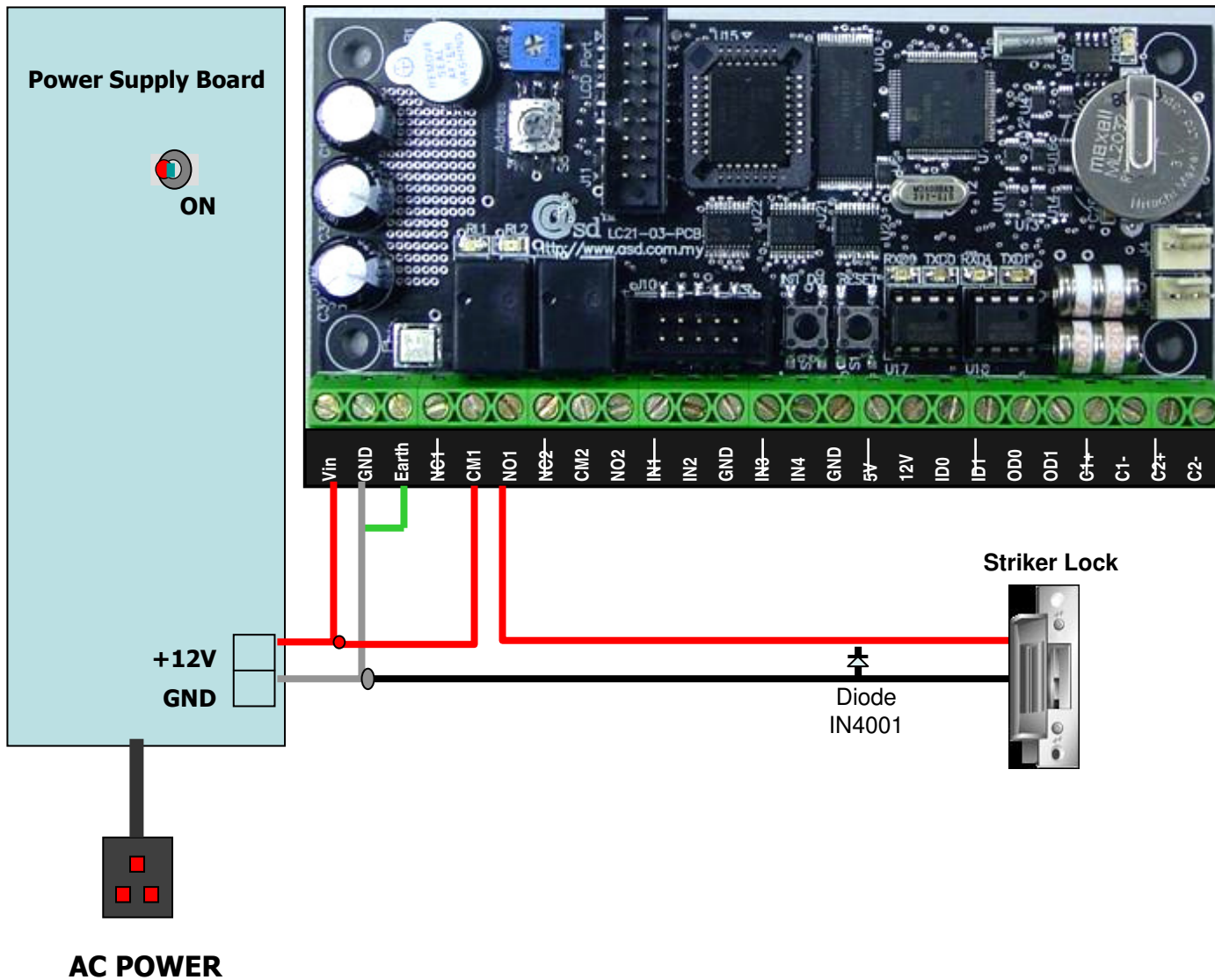
Exit Reader/
Entry Reader for 2nd Door

4) Installing Magnetic Door Sensor and Push Button/ Door Release Button

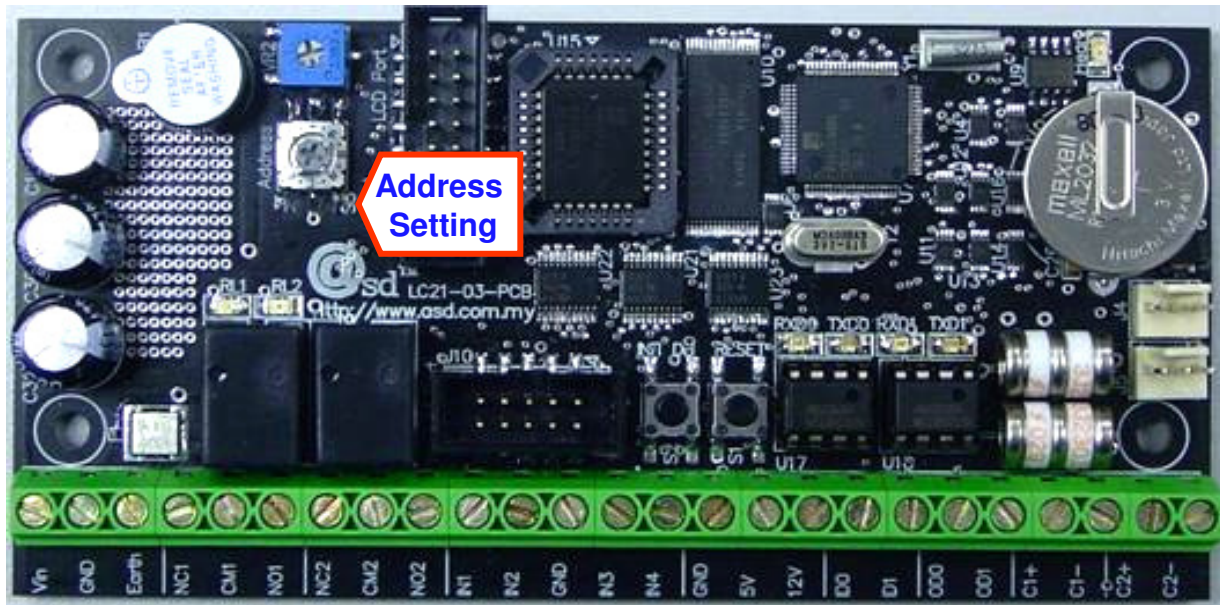


- If the magnetic door sensor is not in used, installer have to
- i) Use the short wire to short the IN1 to the ground (In 1 door mode)
 - ii) Use the short wires to short the IN1 and IN 3 to the ground (In 2 door mode)

3) Installing Striker Lock



8) Setting the controller address



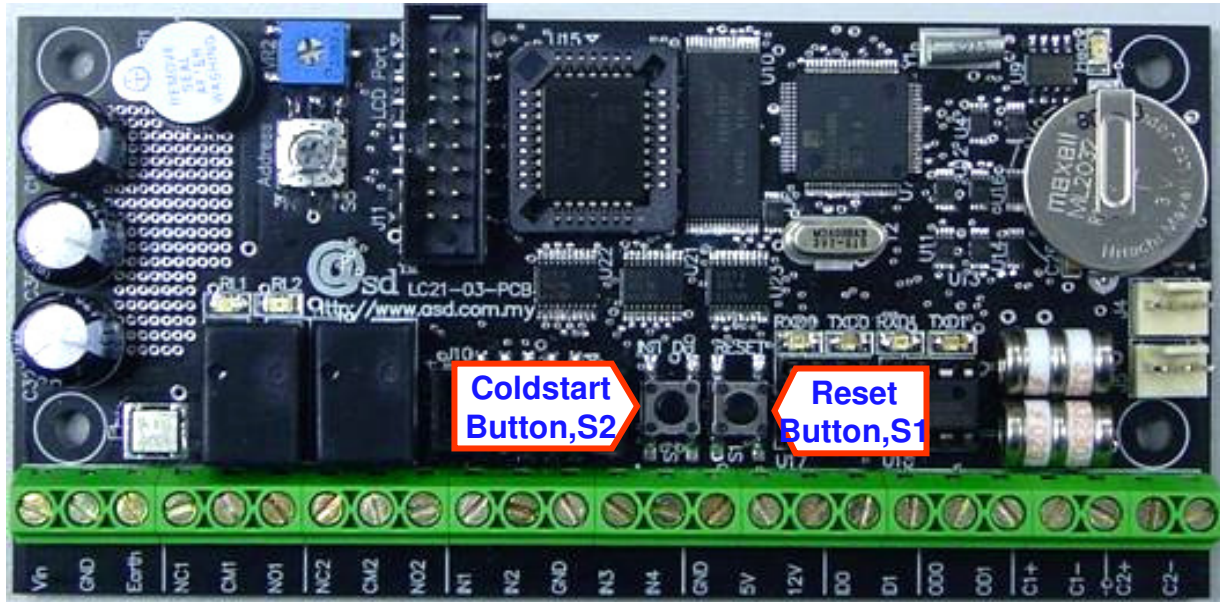
The address setting switch as shown above determined the unit number in the software Configuration. For example, when the arrow at this switch point to "0", the unit number in Software will be 255.255.255.001.

Arrow	Software unit number	Arrow	Software unit number
0	255.255.255.001	8	255.255.255.009
1	255.255.255.002	9	255.255.255.010
2	255.255.255.003	A	255.255.255.011
3	255.255.255.004	B	255.255.255.012
4	255.255.255.005	C	255.255.255.013
5	255.255.255.006	D	255.255.255.014
6	255.255.255.007	E	255.255.255.015
7	255.255.255.008	F	255.255.255.016



**The address must be unique in the same bus
If the system is in RS232 mode, only the address switch must point to 0, whereas the address is 255.255.255.001**

9) Performing Cold Start



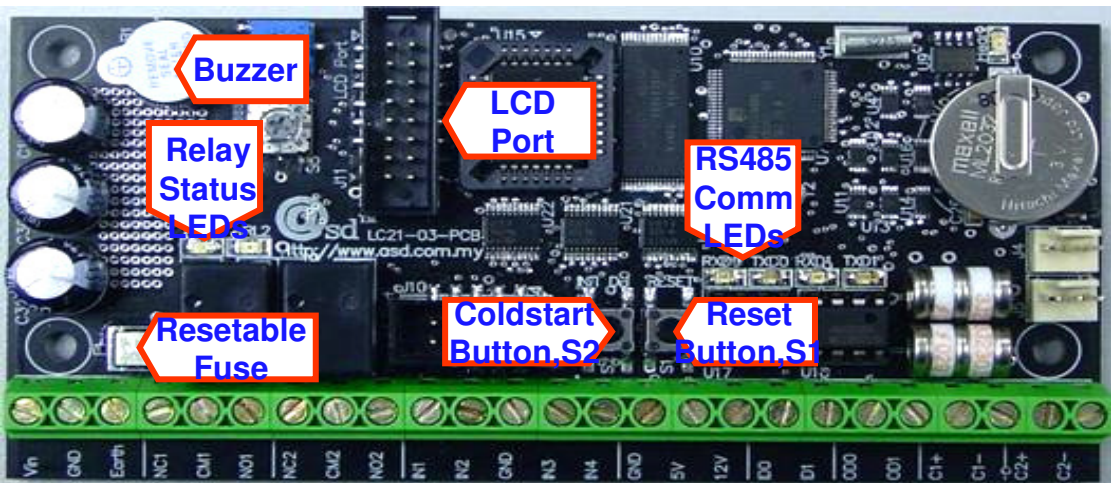
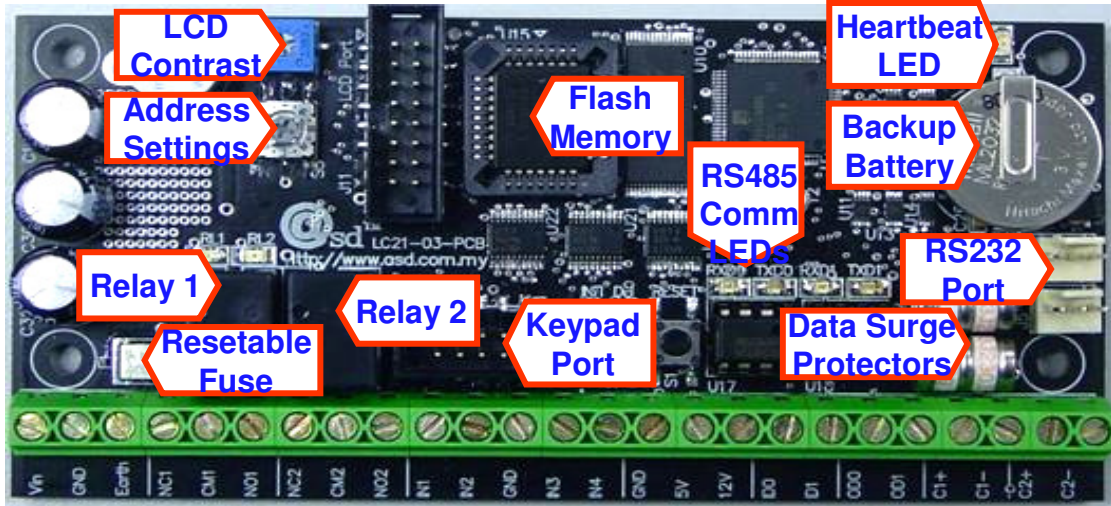
Steps :

- i) Press S2
- ii) Hold the S2 and press S1
- iii) Release S1 and hold the S2
- iv) Hold the S2 for about 2 sec
- v) Release the S2
- vi) A long beeping sound will be heard



It is advice to perform a "cold start" after terminating all the connection.

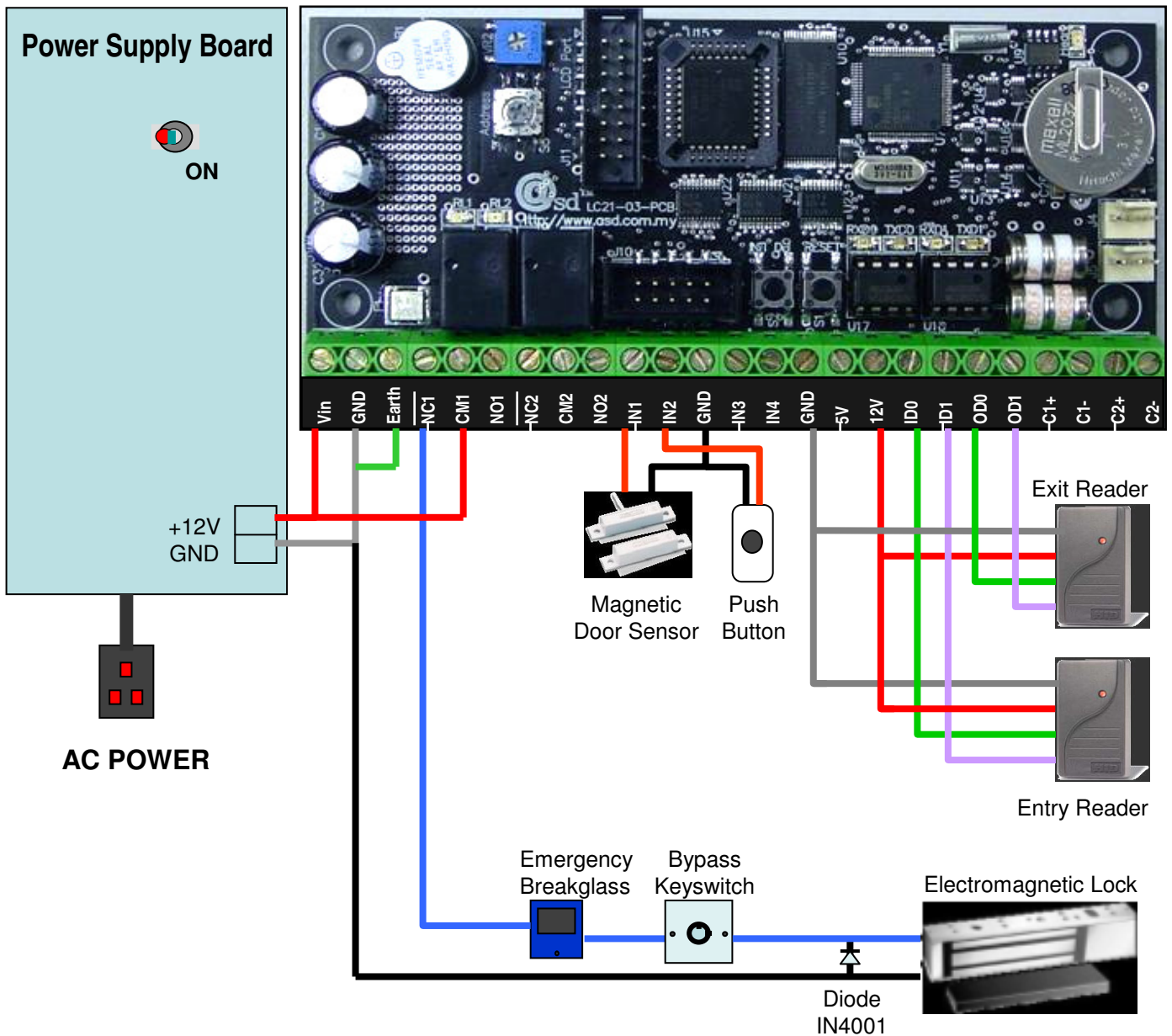
Functional Mode and Legend



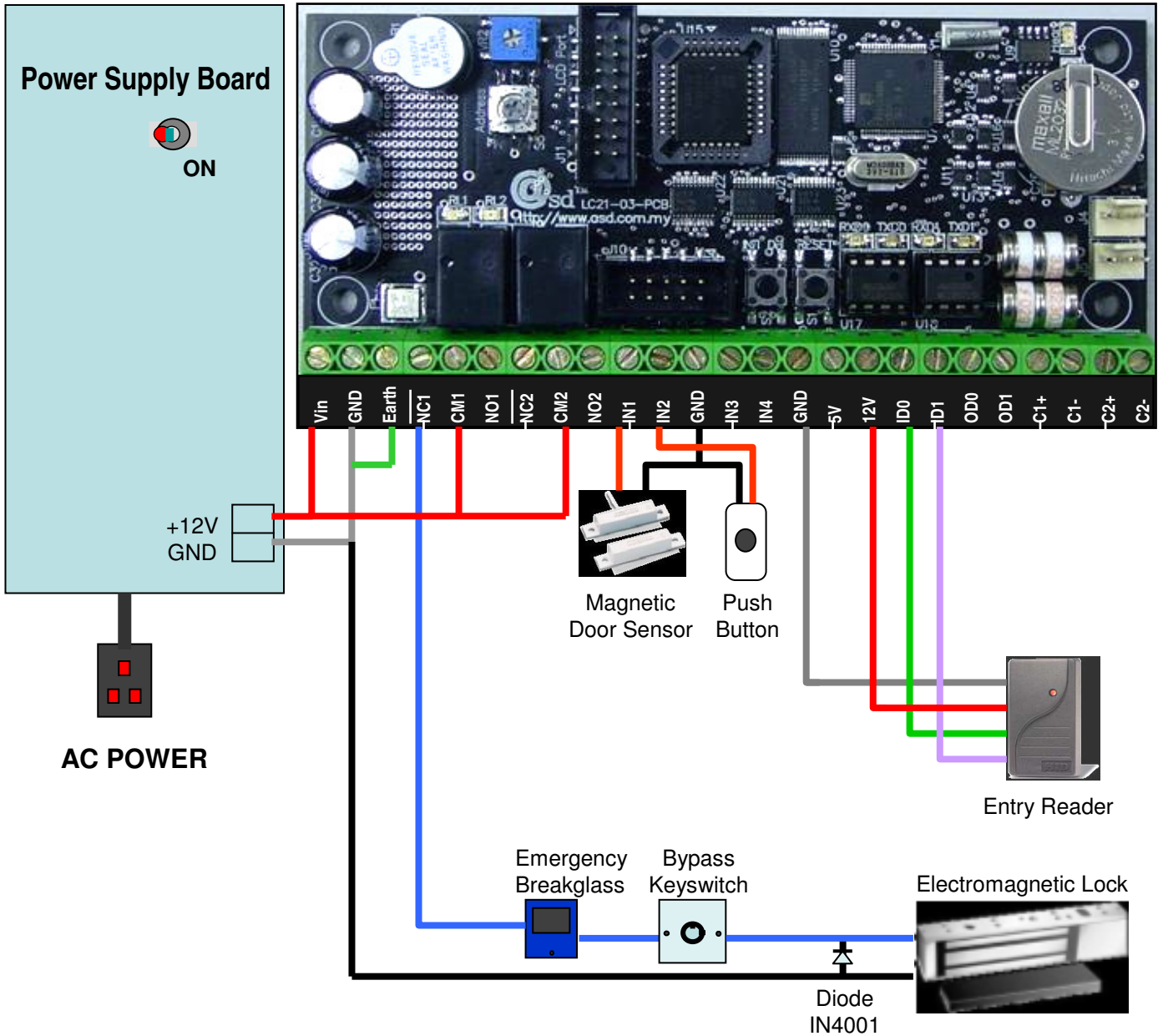
Legend description

Vin	-	+12V supply input
GND	-	0V or common
Earth	-	Earth point
NC1	-	Relay 1 normally close connection
CM1	-	Relay 1 common input
NO1	-	Relay 1 normally open connection
NC2	-	Relay 2 normally close connection
CM2	-	Relay 2 common input
NO2	-	Relay 2 normally open connection
IN1	-	Door Sensor for door 1
IN2	-	Push Button for door 1
GND	-	Ground
IN3	-	Door Sensor for door 2
IN4	-	Push Button for door 2
GND	-	Ground
5V	-	5V Output for reader
12V	-	12V Output for reader
ID0	-	Data 0 Reader 1 input
ID1	-	Data 1 Reader 1 input
OD0	-	Data 0 Reader 2 input
OD1	-	Data 1 Reader 2 input
C1+	-	RS485 COM1 – A
C1-	-	RS485 COM1 – B
C2+	-	RS485 COM2 – A (Spare for future)
C2-	-	RS485 COM2 – B (Spare for future)
J4	-	RS232 COM1
J5	-	RS232 COM2

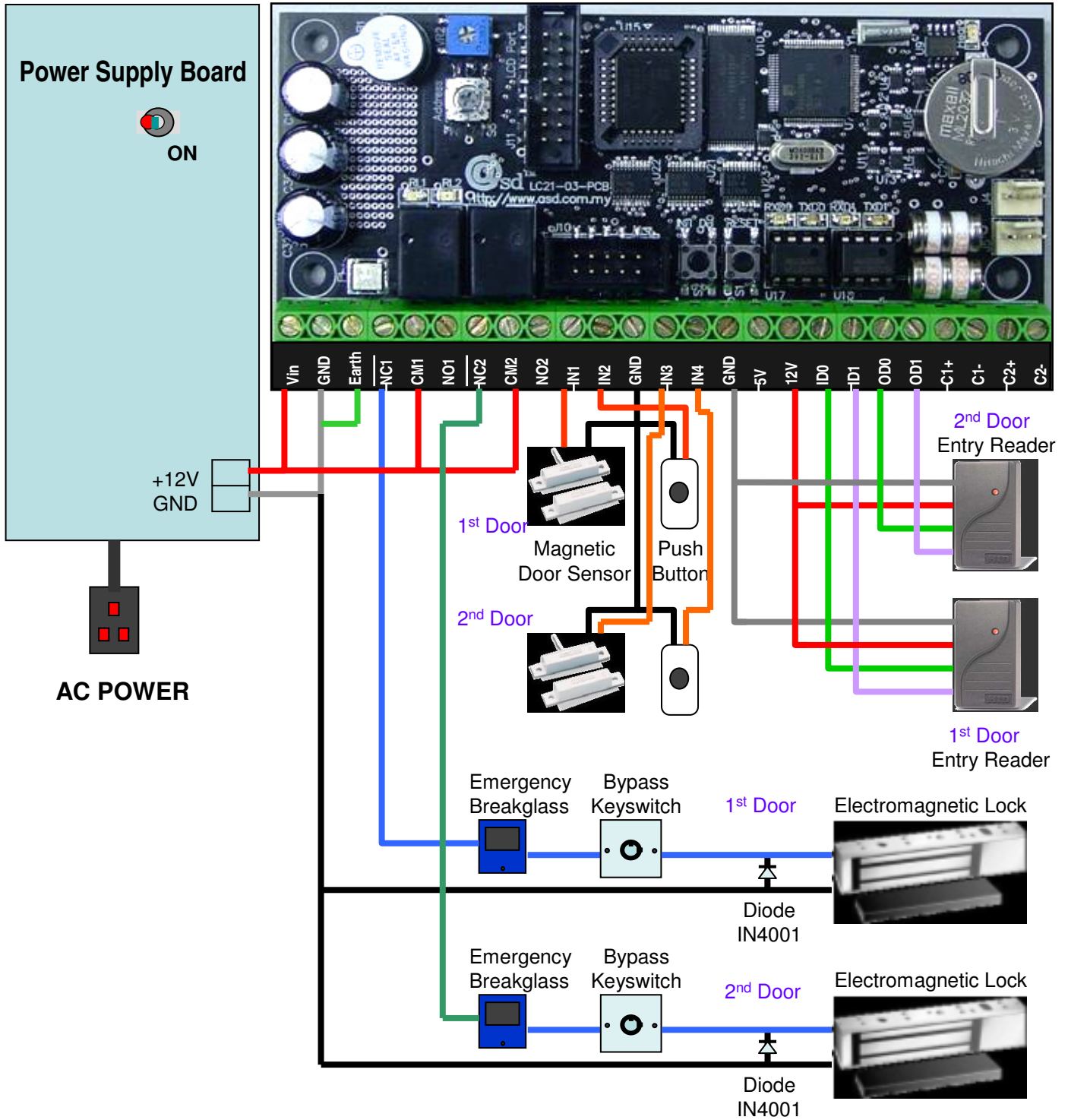
Wiring Diagram (One Door Mode – IN / OUT Reader)



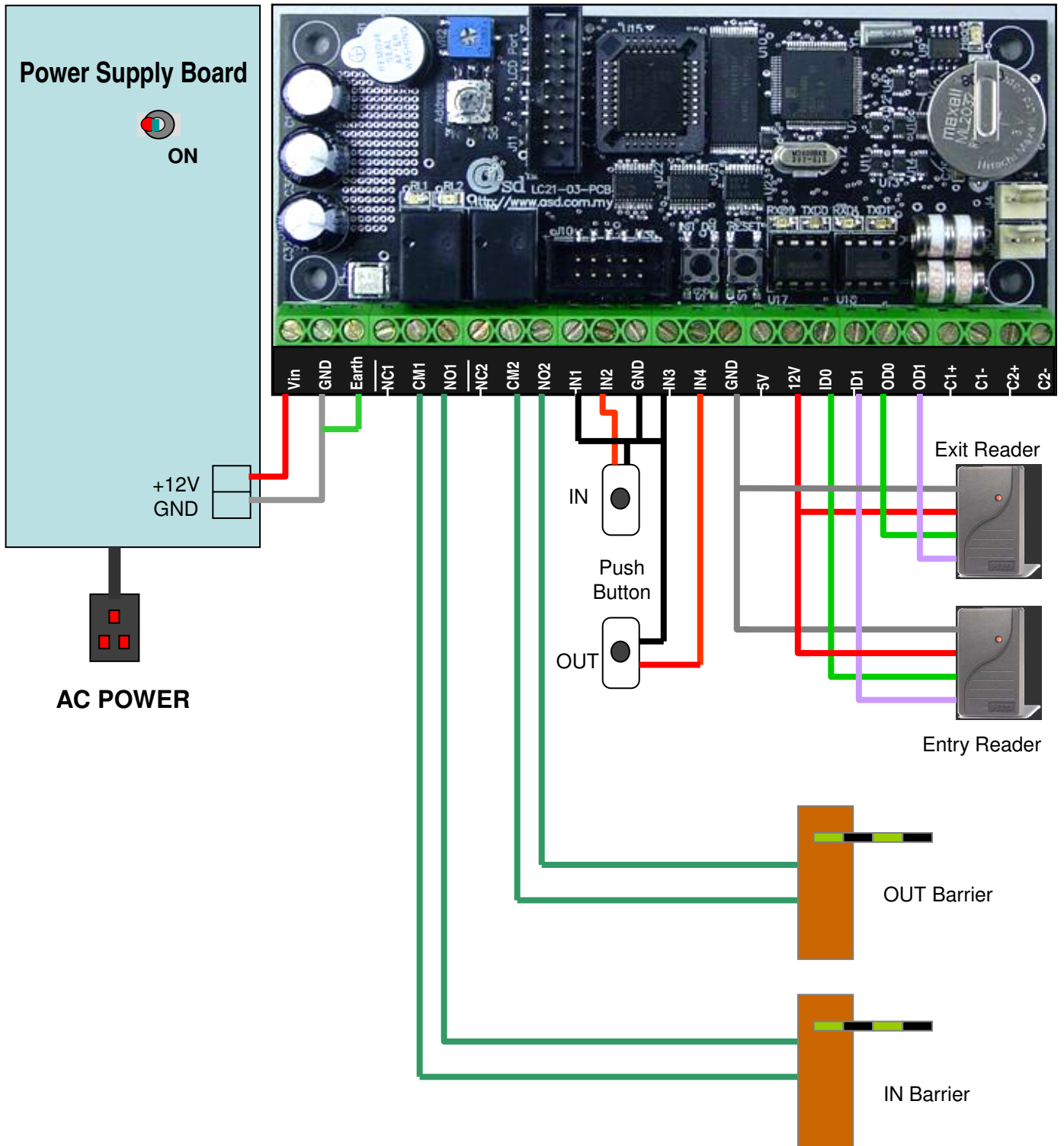
Wiring Diagram (One Door Mode – IN Reader Only)



Wiring Diagram (Two Door Mode)



Wiring Diagram (Car Park Mode)



Cabling Information

Communication	Data Signal	Max Distance	Belden Ref #	Description
Computer to PC communicator	RS 232	10m (30 ft)	n/a	3 pair, 22AWG, stranded, shielded(foil), comm cable
PC Communicator to controller	RS 485	1.2 km (4000 ft)	1419	2 twisted pairs, , #24 AWG, shielded
Controller to Reader	Wiegand	50m (165 ft)	9553	6 conductor, stranded, 18 AWG, shielded 9foil), drain conductor
Accessories				
Controller to push button		600m (2000 ft)	9794	22AWG, 4 conductor
Lock to controller		150m (500 ft)	9571	1 pair, 18 AWG, solid